



Recorder



Flow



Pressure



Temp



Analyzer



Level

## Datasheet

### pH electrodes/ORP electrodes

# Supmea<sup>®</sup>

Committed to process automation solutions

Tel: 86-15158063876

E-mail: [info@supmea.com](mailto:info@supmea.com)

[www.supmea.com](http://www.supmea.com)

**Datasheet****pH electrodes/ORP electrodes**

Supmea pH electrode is a high-quality sensor for the analysis and measurement of liquid components during industrial automation. These electrodes are known for their use of top-quality materials and components. They are designed as combined electrodes (the measuring electrode and the reference electrode are combined in one shaft). The temperature probe can also be integrated as an option.

**Applications**

- Wastewater
- Wet Wells
- Oil tanks
- Sumps
- Reservoirs
- Industrial wastewater
- Electroplating plants
- Paper industry
- Drinking water

**Features**

- Adopt international advanced solid dielectric and large area PTFE liquid junction, easy maintenance.
- Long distance reference diffusion path, extends electrode life greatly in harsh environments.
- Electrode is made of high quality low-noise cable, make signal output length greater than 40 meters or more, without interference.
- High accuracy, fast response, good repeat-ability.
- With silver ions Ag / Ag-Cl reference electrode.
- Side or vertically installation to the reaction tank or pipe.
- Electrode can be used interchangeably with similar electrodes.

**Product name**

Electrode model	Designation	pH and ORP range	Temperature range
SUP-pH5011	Plastic pH electrode	2-14pH	0-60°C
SUP-pH5013A	PTFE pH electrode	0-14pH	0-60°C
SUP-pH5014	Glass pH electrode	0-14pH	0-130°C
SUP-pH5015	High Temperature Glass	0-14pH	0-130°C
SUP-pH5016	pH electrode	0-14pH	0-80/>100°C
SUP-pH5017	Plastic pH electrode	0-14pH	0-130°C
SUP-pH5018	Glass pH electrode	0-14pH	0-100°C
SUP-pH5019	Glass pH electrode	0-14pH	0-80°C for general cables
SUP-pH5022	Glass pH electrode	0-14pH	0-130°C
SUP-pH6001	Plastic pH electrode	2-12pH	0-80°C
SUP-pH6002	Glass pH electrode	0-14pH	0-100°C
SUP-pH7001	Desulfurization electrode	0-14pH	5-80°C
SUP-pH7002	Plastic pH electrode	0-14pH	5-80°C
SUP-ORP6041	Glass ORP electrode	-2000mV-2000mV	0-80°C
SUP-ORP6050	Plastic pH electrode	-2000mV-2000mV	0-60°C

**SUP-pH5014****▪ Technical parameters**

Temperature compensation: Pt100/Pt1000/NTC10K  
HF acid concentration range:  $\leq 4000$ ppm  
Electrode interface: S8, VP, K2, etc.  
Zero potential point:  $7 \pm 0.5$  pH  
Conversion coefficient:  $> 98\%$   
Membrane resistance:  $< 50, 250\text{M}\Omega$   
Practical response time:  $< 1$  min  
Salt bridge: Ceramic salt bridge  
Pressure resistance:  $0.25\text{MPa}$   
Thread Connection: PG13.5  
Reference: Ag/AgCl

**▪ Application**

In the dilution control of hydrofluoric acid in semiconductor wafer fabrication and chip production; determination of pH value in petrochemical industry, iron and steel production wastewater and other strong corrosive systems.

**SUP-pH5015****▪ Technical parameters**

Temperature compensation: Pt100/Pt1000/NTC10K  
Connector: VP, S8M, K2, etc.  
Zero potential point:  $7 \pm 0.5$  pH  
Conversion coefficient:  $> 98\%$   
Membrane resistance: general:  $< 250\text{M}\Omega$   
Practical response time:  $< 1$  min  
Salt bridge: Ceramic salt bridge  
Pressure resistance:  $0.25\text{MPa}$   
Thread Connection: PG13.5  
Reference: Ag/AgCl  
Material: Glass

**▪ Application**

In various chemical processes including microbial technology, pharmaceuticals, food and beverages, sugar manufacturing, chlor-alkali, mining and smelting, paper pulp, textiles, petrochemical industry and semiconductor electronic industry as well as fields such as wastewater treatment.

**SUP-pH5016****▪ Technical parameters**

Temperature compensation: Pt100/Pt1000/NTC10K

Zero potential point:  $7 \pm 0.5$  pH

Conversion coefficient: > 98%

Membrane resistance: <250M $\Omega$

Practical response time: < 1 min

Salt bridge: salt bridge porous Teflon

Pressure resistance: 1 ~ 6 Bar at 25 °C

Thread Connection: 3/4NPT

**▪ Application**

In wastewater treatment and in the fields including mining and smelting, papermaking, paper pulp, textiles, petrochemical industry, process of semiconductor electronic industry, and downstream engineering of biotechnology.

**SUP-pH5017****▪ Technical parameters**

Temperature compensation: Pt100/Pt1000/NTC10K

Connector: VP, S8M, K2, etc.

Zero potential point:  $7 \pm 0.25$  pH

Conversion coefficient: > 98%

Membrane resistance: <600M $\Omega$

Practical response time: < 1 min

Pressure resistance: up to 6 Bar at 25 °C

Thread Connection: PG13.5

**▪ Application**

In various chemical processes including chlor-alkali, mining and smelting, papermaking, paper pulp, textiles, petrochemical industry and semiconductor electronic industry as well as fields such as biotechnology and wastewater treatment.

**SUP-pH5018****▪ Technical parameters**

Temperature compensation: Pt100/Pt1000/NTC10K  
Pressure resistance: 0.25MPa  
Connector: VP, S8M, K2, etc.  
Zero potential point:  $7 \pm 0.5$  pH  
Conversion coefficient: > 98%  
Membrane resistance: general: <250M $\Omega$   
Practical response time: < 1 min  
Salt bridge: Porous ceramic core/ porous Teflon  
Thread Connection: PG13.5

**▪ Application**

In various chemical processes including microbial technology, pharmaceuticals, food and beverages, sugar manufacturing, chlor-alkali, mining and smelting, papermaking, paper pulp, textiles, petrochemical industry and semiconductor electronic industry as well as fields such as sewage treatment.

**SUP-pH5019****▪ Technical parameters**

Temperature compensation: 10  
K $\Omega$ /2.252K $\Omega$ /Pt100/Pt1000  
Zero potential point:  $7 \pm 0.5$  pH  
Conversion coefficient: > 98%  
Membrane resistance: <250M $\Omega$   
Practical response time: < 1 min  
Salt bridge: Ceramic salt bridge  
Pressure resistance: 0.1 MPa~0.3 MPa at 25 °C  
Thread Connection: 3/4NPT  
Material:Nylon 66 mixed glass fiber

**▪ Application**

In sewage treatment and fields including mining and smelting, papermaking, paper pulp, textiles, petrochemical industry, process of semiconductor electronic industry and downstream engineering of biotechnology.

**SUP-pH5013A****▪ Technical parameters**

Temperature compensation: Pt100/Pt1000/NTC10K

Zero potential point:  $7 \pm 0.25$

Conversion coefficient:  $\geq 95\%$

Membrane resistance:  $< 500\Omega$

Practical response time:  $< 1$  min

Salt bridge: Cyclic tetrafluoro salt bridge

Reference: Ag/AgCl

Pressure resistance: 0.3MPa

Thread Connection: 3/4NPT

Material: PTFE

**▪ Application**

Low-impedance glass sensitive film, wear-resistant, strong acid and alkali resistant, with protection ring in the front to protect glass bulb and better precision and linearity.

**SUP-pH5011****▪ Technical parameters**

Temperature compensation: Pt100/Pt1000/NTC10K

Zero potential point:  $7 \pm 0.25$

Conversion coefficient:  $\geq 95\%$

Membrane resistance:  $< 500\Omega$

Practical response time:  $< 1$  min

Reference: Ag/AgCl

Pressure resistance: 4 bar at 25 °C

Thread Connection: 3/4NPT

Material: PPS/PC

**▪ Application**

Suitable for general industrial waste water and discharge solutions

**SUP-pH6001****▪ Technical parameters**

Temperature compensation: Pt100/Pt1000/NTC10K

Pressure resistance: 0.4MPa

Reference: Ag/AgCl

Thread Connection: 3/4NPT

Salt bridge: Cyclic tetrafluoro salt bridge

Material:ABS

**▪ Application**

In various chemical processes including water treatment, waste gas treatment, aquaculture and dosing equipment supporting.

**SUP-pH7001****▪ Technical parameters**

Temperature compensation: Pt100/Pt1000/NTC10K

Pressure resistance: 0.4MPa

Reference: Ag/AgCl

Thread Connection: 3/4NPT

Salt bridge: Ceramic salt bridge

Material:PPS

**▪ Application**

In various chemical processes including high suspended solids solution, lime pool and mining.



**SUP-pH7002****▪ Technical parameters**

Temperature compensation: Pt100/Pt1000/NTC10K  
Pressure resistance: 0.4MPa  
Reference: Ag/AgCl  
Thread Connection: 3/4NPT  
Salt bridge: Cyclic tetrafluoro salt bridge  
Material:PPS

**▪ Application**

In various industrial processes including sewage and waste gas treatment and fields.

**SUP-pH5022****▪ Technical parameters**

Zero potential point:  $7 \pm 0.5$  pH  
Conversion coefficient: > 96%  
Installation size: PG13.5  
Pressure: 1 ~ 6 Bar at 25 °C  
Temperature: 0 ~ 130°C for general cables  
Thread Connection:K8S

**▪ Application**

Industrial wastewater engineering including process measurements, electroplating plants, paper and drinks industry , wastewater containing oil.  
Suitable for suspensions, varnishes, media containing solid particles and media containing fluorides (hydrofluoric acid) up to 1000 mg/l HF.



**SUP-ORP6041**

▪ **Technical parameters**

Thread Connection: BNC

Material: Glass

Pressure resistance:

Reference:

Thread Connection:

Salt bridge:

Material:

▪ **Application**

In various industrial processes including water treatment, pure water industry, power plants, etc.



**SUP-ORP6050**

▪ **Technical parameters**

Zero potential point:  $7 \pm 0.5$  pH

Conversion coefficient: > 96%

Pressure resistance:  $\leq 0.6$ MPa

Thread Connection: 3/4NPT

▪ **Application**

In various industrial processes including sewage and waste gas treatment and fields.



## SUP-pH6002

### ▪ Technical parameters

Measurement range:(0~14) pH

Temperature range:(0~100)°C

Pressure resistance:0.6MPa

Zero potential point:  $E_0=7\text{pH}$

Electrode size:  $\phi 12 \times 120$ , 225 or other sizes

Thread: PG13.5, international standard

Electrode outer tube material: glass

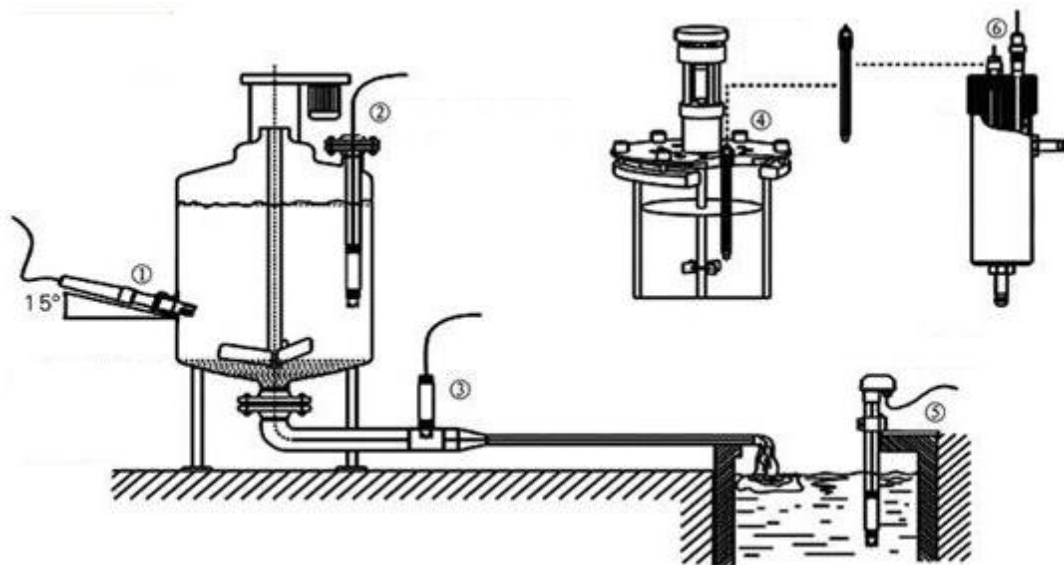
Wire: 5 meters (standard), optional

Temperature compensation resistance: Pt100, Pt1000, 2.252K, 10K, 22K, etc.

### ▪ Application

In various chemical processes including microbial technology, pharmaceuticals, food and beverages, sugar manufacturing, chlor-alkali, mining and smelting, papermaking, paper pulp, textiles, petrochemical industry and semiconductor electronic industry as well as fields such as sewage treatment.

## Installation of electrode



Schematic diagram of common installation method

- ① Side wall installation
- ② Flange mounted at the top
- ③ Pipe installation
- ④ Top installation
- ⑤ Submersible installation
- ⑥ Flow-through installation

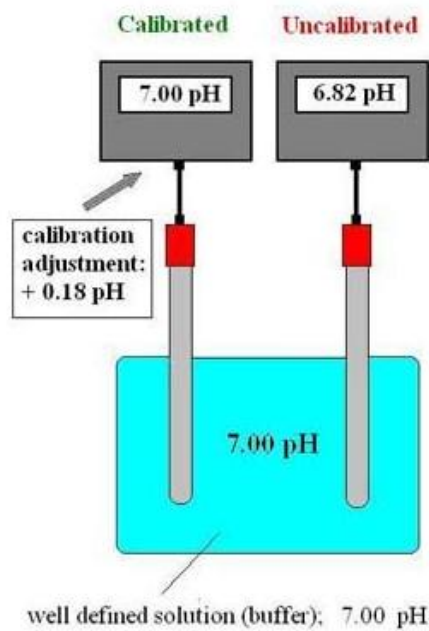
The interface must be in 5 oblique angle, or it will affect the normal test and use of the electrode. We won't be responsible for any results due to this.

## pH Calibration

A pH calibration is the procedure of adjusting the pH meter by measuring solutions of known pH values.

The characteristic of a pH electrode will change with time due to electrode coating and aging. And even a pH electrode would be stable over time, pH electrodes cannot be produced with identical characteristics.

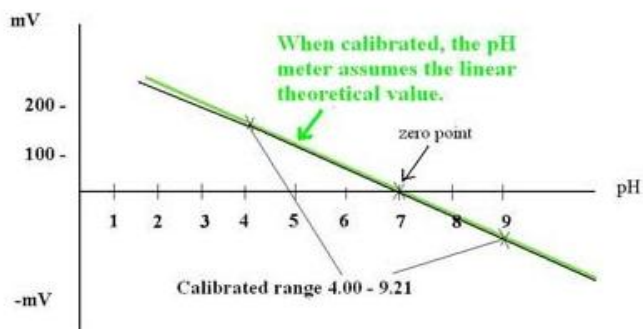
In practice the response of a real pH sensor does not exactly follow the Nernst equation. This difference between the theoretical and actual behavior of a pH electrode must be compensated for. A calibration is required to match the pH meter to the current characteristics of the used pH sensor.



To achieve the best possible accuracy, the calibration should cover the range of the desired measurement values. If the readings go beyond the calibrated range, the pH meter assumes linearity and simply extrapolates the value to be displayed. The true value may be slightly different.

More advanced pH meters will let the user calibrate at three, four or five and even higher numbers of pH values. A multi-point calibration mean, in comparison to a two-point calibration, that you can calibrate your pH tester on both sides of the zero point (pH 7.00). This will expand your pH measurement range without the need of recalibrating.

Example) Three-point calibration at pH 4.00 , 7.0 and 9.21.



Electrode slope: The slope of the glass electrode is 59.16 mV at 25 °C theoretically, i.e. potential change of 59.16 mV for each pH change in the solution. But in fact, neither glass electrode can reach the theoretical value 100%; in general, the electrode slope is more than 98% of the theoretical value (percentage slope). In addition, the mV difference corresponding to each unit pH value varies under different temperatures. The conversion of temperature to electric potential difference is as follows:

$$\Delta E = 59.16 * [ (273 + T) / 298 ] * \Delta pH$$

### Corresponding relationship between pH and millivolt at 25°C

Potentiometer(mV)	pH	Potentiometer(mV)	pH
414.12	0.00	-414.12	14.00
354.96	1.00	-354.96	13.00
295.80	2.00	-295.80	12.00
236.64	3.00	-236.64	11.00
177.48	4.00	-177.48	10.00
118.32	5.00	-118.32	9.00
59.16	6.00	-59.16	8.00
0.00	7.00	0.00	7.00

**Related Product**

---



**PTFE pH sheath**



**Stainless steel pH sheath**



**Flow cup**



**Electronic controlled box**