



Recorder



Flow



Pressure



Temp



Analyzer



Level

Datasheet

Ultrasonic level transmitter

SUP-MP-C

Supmea[®]

Committed to process automation solutions

Tel: 86-15158063876

E-mail: info@supmea.com

www.supmea.com

Datasheet**Ultrasonic level transmitter
SUP-MP-C**

Ultrasonic level meter (measurement of liquid level/material level) is a non-contact, high reliability, cost-effective, easy-to-install and maintain liquid level/material level measuring instrument. It can meet most liquid level/level measurement requirements without contacting the measured medium. It is a new generation of ultrasonic level gauge with completely independent property rights of our company.

Applications

- Fire water tank
- Deep well water level
- River reservoir
- Engineering pool
- Sewage/waste water
- Chemical material

Features

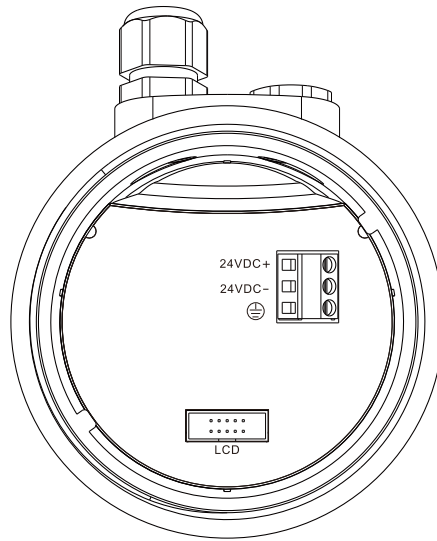
- Simple operation
- Fault self-diagnosis technology, realize real-time fault self-diagnosis
- A variety of working conditions algorithm selection, improve environmental adaptability;
- High measurement resolution
- Fast response, the fastest response time
- Automatic temperature compensation

**Ultrasonic level meter****Principle**

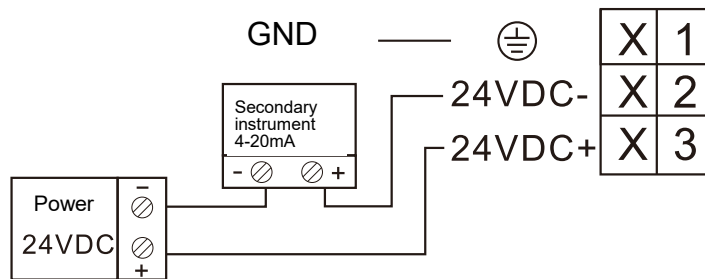
The ultrasonic wave is reflected when it meets the interface of liquid medium (solid medium) with different density, and the transmission time is measured to measure the liquid level / distance

Parameters	
Product	Ultrasonic level transmitter
Model	SUP-MP-C
Measure range	(0~5) m / (0~10) m / (0~15) m
Blind zone	≤0.4m (5m、10m)
	≤0.6m (15m)
Accuracy	±0.5%FS
	±0.3%FS
Display	Monochrome LCD with resolution of 128 * 64
Current output	(4 ~ 20) mA , the output accuracy is 0.2%FS
	Output load is (U-18V)/0.02A (U:supply voltage,2-wire)
	Output load is (U-14V)/0.02A (U:supply voltage,4-wire)
Measuring variable	Level/Distance
Power supply	18-28 VDC
Resolution	1mm or 0.1%FS (maximum)
Communication	RS485 (4-wire)
Relay output	2 groups (4-wire optional)
Working temperature	Instrument: (-20~+60)°C
	Probe: (-20~+80)°C
Ingress Protection	Instrument: IP65
	Probe: IP68
Relative humidity	(10~85)%RH (no condensation)
Language	Chinese/English
Installation method	Threaded installation
Display method	With display (Optional without display. Refer to 1.5 for settings without display)

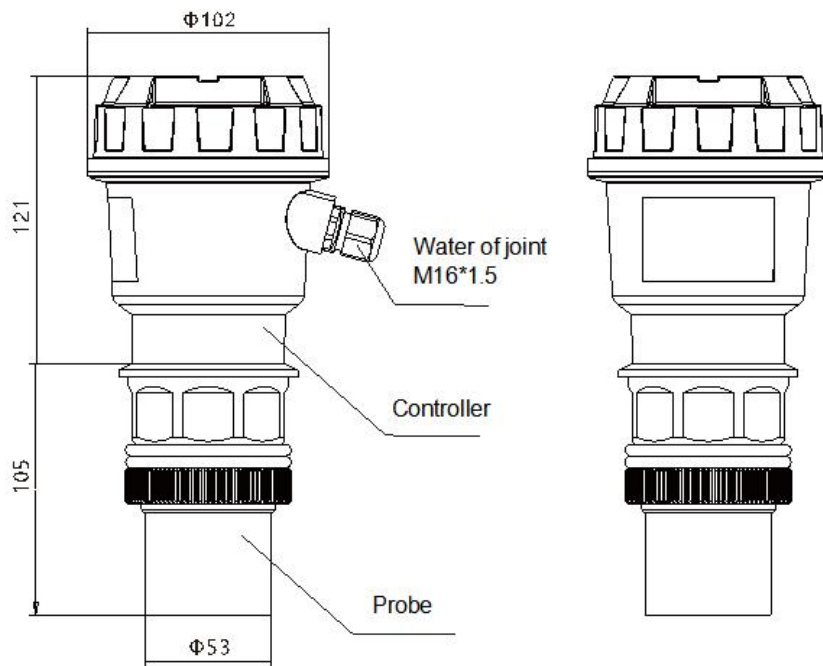
Wiring



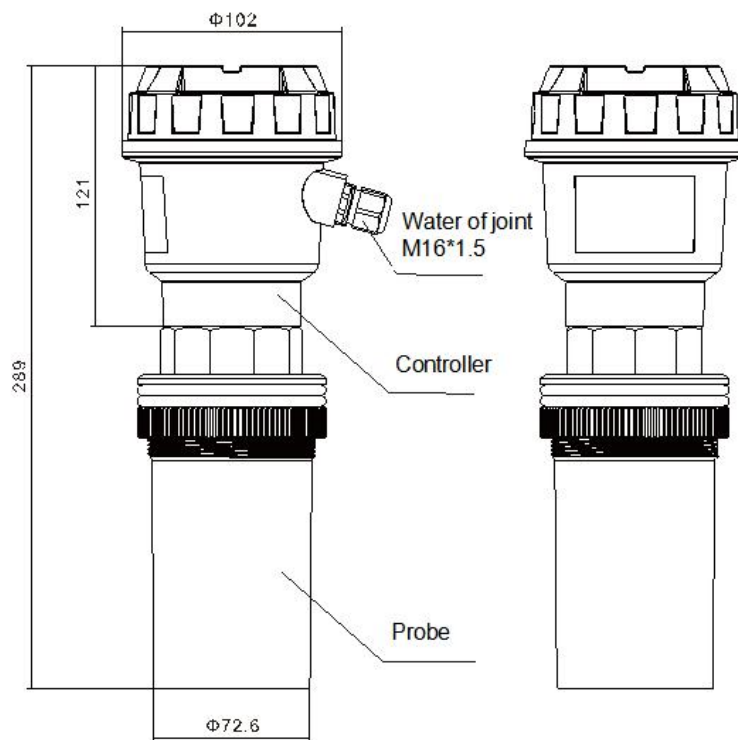
1	X	24VDC+	} 24VDC
2	X	24VDC-	
3	X	⊕	— GND



Dimension



M60×2 or G2 Thread Sensor (5m/10m)



M78×2 Thread Sensor (15m)

Ordering code

SUP-MP-C-NS-J3-A1-WB-EA									Description
SUP-MP-C	-	-	-	-	-	-	-	-	Integrated Type Ultrasonic Level Transmitter
Measurement Range and Thread Type	C								5m, G2
	D								10m, G2
	L								15m, M78×2
Probe Material		NS							Plastic ABS
		N6							Polytetrafluoroethylene (PTFE)
Accuracy			J3						0.5 Class
			J5						0.3 Class
Output and Power Supply				A1					2-Wire 4-20mA
				SA					4-20mA, 24VDC
				SP					4-20mA + Dual SPST +RS485, 24VDC
				SG					4-20mA + Dual SPST, 24VDC
				SE					4-20mA+RS485, 24VDC
				SW					4-20mA + Wireless NB-IoT, 24VDC
				SX					4-20mA + Wireless NB-IoT + Dual SPST + RS485, 24VDC
Electrical Interface, Housing Material, and Ingress Protection								SY	4-20mA + Wireless NB-IoT + Dual SPST, 24VDC
								SZ	4-20mA + Wireless NB-IoT+RS485, 24VDC
							WB		M16×1.5 Cable Gland, Plastic ABS, IP65
Accessories								EA	L-shaped Stainless Steel Mounting Bracket, 0.8m
								EB	L-shaped Stainless Steel Mounting Bracket, 1.5m
								EC	Polycarbonate (PC) Protective Cover

Note:When 4-wire system is used, the default display is displayed.Single current output is 2-wire system, no RS485, no relay output